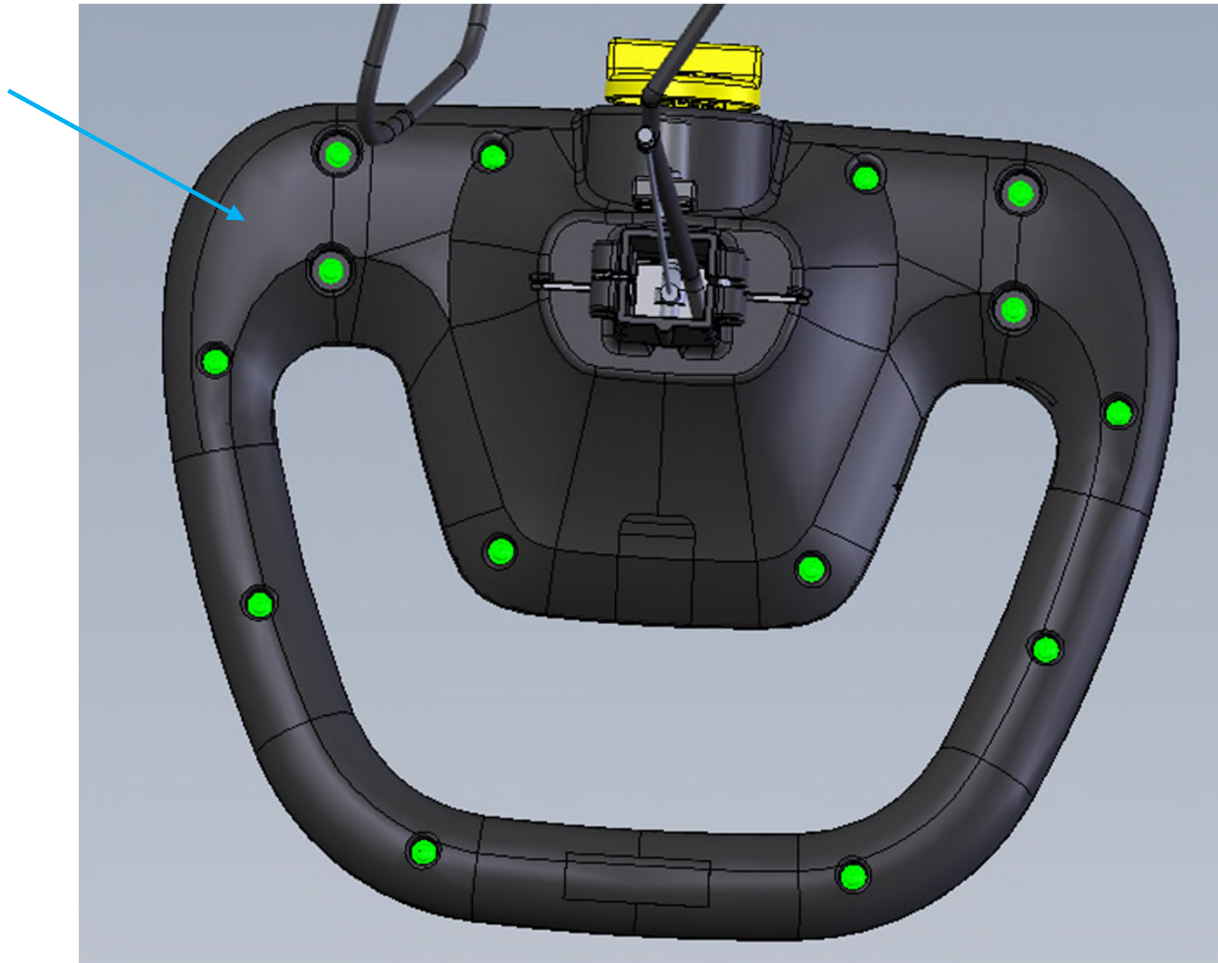


13.4 Access Control Panel

To get to the control panel A2:

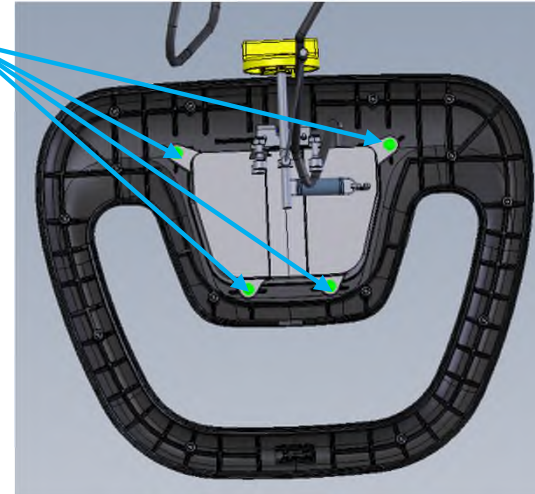
1) Remove cover
(14 screws)



2) Open half shells



3) Loosen 4 screws

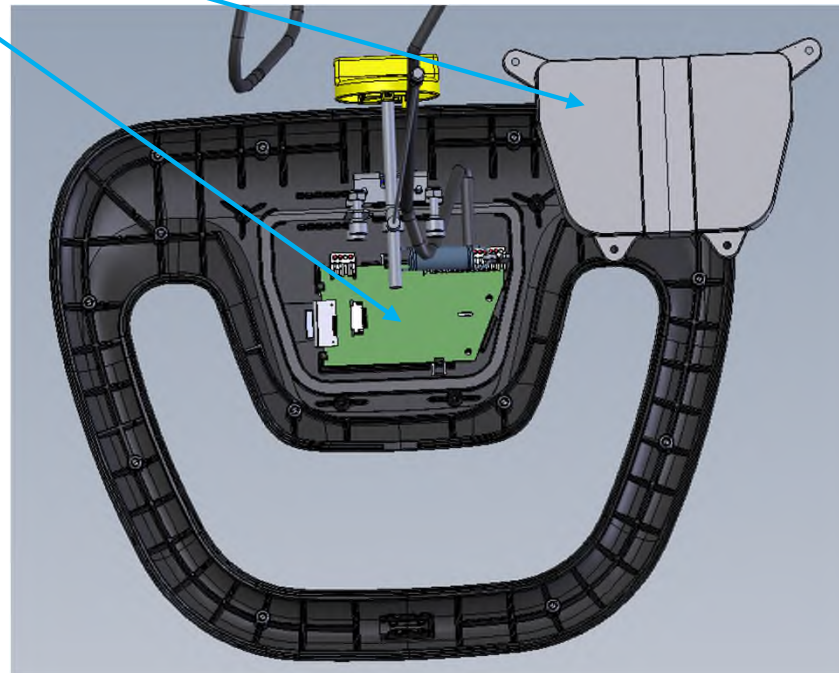


Rotary handle (yellow)

Wires micro switch

Micro switch S2

4) Under the cover is the A2

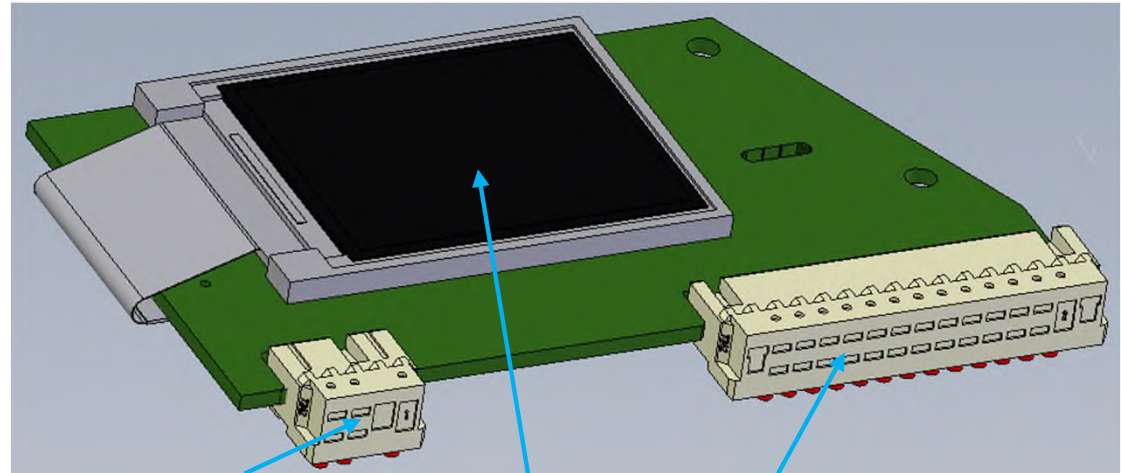


Micro switch S2



Actuating bracket connected
With rotary handle (yellow)

Platine Bedienfeld A2



Plug A2/X4

Display

Plug A2/X1

